



Advance Metalpres Inc.
 Unit 120-2340 Viscount Way
 Richmond, BC, Canada
 V6V 1N1
 Tel: (604) 279-8266
 Fax: (604) 279-8265

J-Series
(standard coil)
- Insulated -
HOT WATER TANKS

J-Series XL
(extra long coil)
- Insulated -
HOT WATER TANKS

General Data

Specifications	J 40	J 60	J 80	J 120
Tank Capacity	40	60	80	119
Heating Surface	7,85	7,85	9,82	9,82
Coil Length	30	30	30	30
Shipping Weight	120	160	250	310

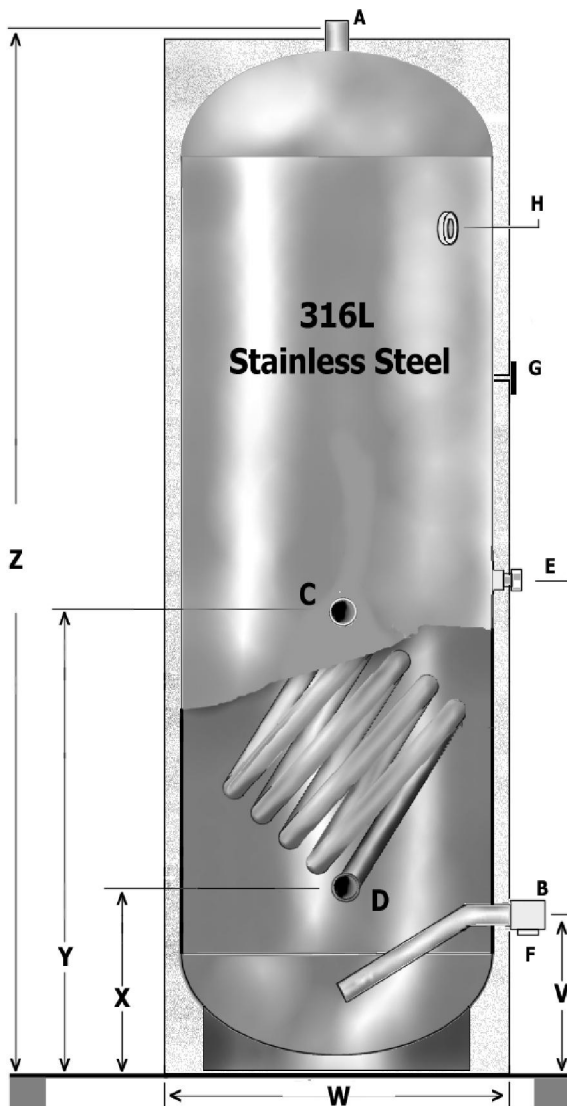
Specifications	J 40 / XL	J 60 / XL	J 80 / XL	J 120 / XL	
Tank Capacity	40	60	80	119	US GAL.
Heating Surface	13,09	13,09	13,09	13,09	SQ.FT.
Coil Length	40	40	40	40	FT.
Shipping Weight	125	165	255	320	LBS.

DIMENSIONS - J-SERIES & XL

CONNECTIONS	Type	J 40 / XL	J 60 / XL	J 80 / XL	J 120 / XL
A - Hot water outlet	nipple	3/4"	3/4"	1"	1 1/2"
B - Cold water inlet	coupler	3/4"	3/4"	1"	1 1/4"
C - Supply from boiler	nipple	1"	1"	1 1/4"	1 1/4"
D - Return to boiler	nipple	1"	1"	1 1/4"	1 1/4"
E - Aquastat	coupler	1/2"	1/2"	1/2"	1/2"
F - Drain	coupler	3/4"	3/4"	3/4"	n/a
G - Temperature gauge	surface mount				
H - Pressure relief	coupler	3/4"	3/4"	3/4"	3/4"

Overall	J 40 / XL	J 60 / XL	J 80 / XL	J 120 / XL
V	8 1/4"	8 1/4"	9 1/2"	9 1/2"
W	21 1/4"	21 1/4"	23"	27"
X	8 1/4"	8 1/4"	9 1/2"	9 1/2"
Y	24 3/4"	24 3/4"	29 1/2"	32"
Z	42 1/2"	62 1/2"	66 1/2"	70 1/2"

* Note: J120 is not equipped with a tee and drain valve



Passivated treatment for maximum corrosion resistance

THE J-SERIES TANK FEATURES

- Complete package with aquastat, temperature gauge, temp-pressure relief valve and tee drain valve
- 100% high quality 316L stainless steel construction
- High capacity storage for commercial and industrial applications
- Designed for quick and simple installation
- Powder coated steel jacket for high quality finish and durability
- Non-toxic fibreglass insulation
- Customized tanks available upon request